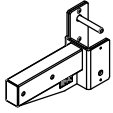
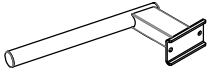
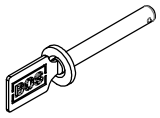



# YDIP-RA-HDR

NO	Details drawing	NO	Details drawing
01-00	 × 1	02-00	 × 2
03-00	 × 1		M12 × 75 bolt,nut,washer  × 2