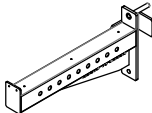
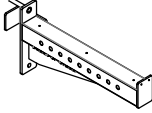




# SSPA-RA-HDR

NO	Details drawing	NO	Details drawing
01-00A	 × 1	01-00B	 × 1
	Φ 16 pin  × 2		Φ 4.5 × 32 safety latch  × 2