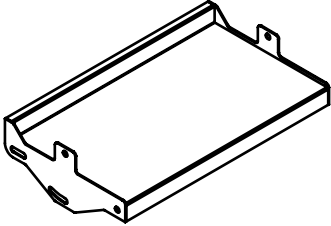



30-HDRMTC-DB-SHELF

1 OF 1

NO		NO	
04-00	 <p data-bbox="686 1232 734 1276">X1</p>		
	<p data-bbox="319 1366 718 1411">M16*105 bolt,nut,washer</p>  <p data-bbox="686 1836 734 1881">X4</p>		