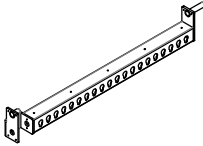
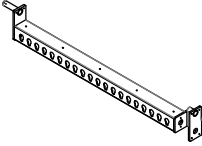
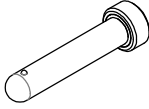


# 43-FDS-MTC

NO	Details drawing	NO	Details drawing
01-00A	 × 1	01-00B	 × 1
	∅25*110pin  × 2		